

PRODUCTSPECIFICATION

Art. name: NLP plastic 1/3 pallet P3

Art. number: 0004

EPD number: 4035341



PRODUCT DESCRIPTION

Dimensions (mm) +/- 3 mm	
Length	800
Width	400
Height	149

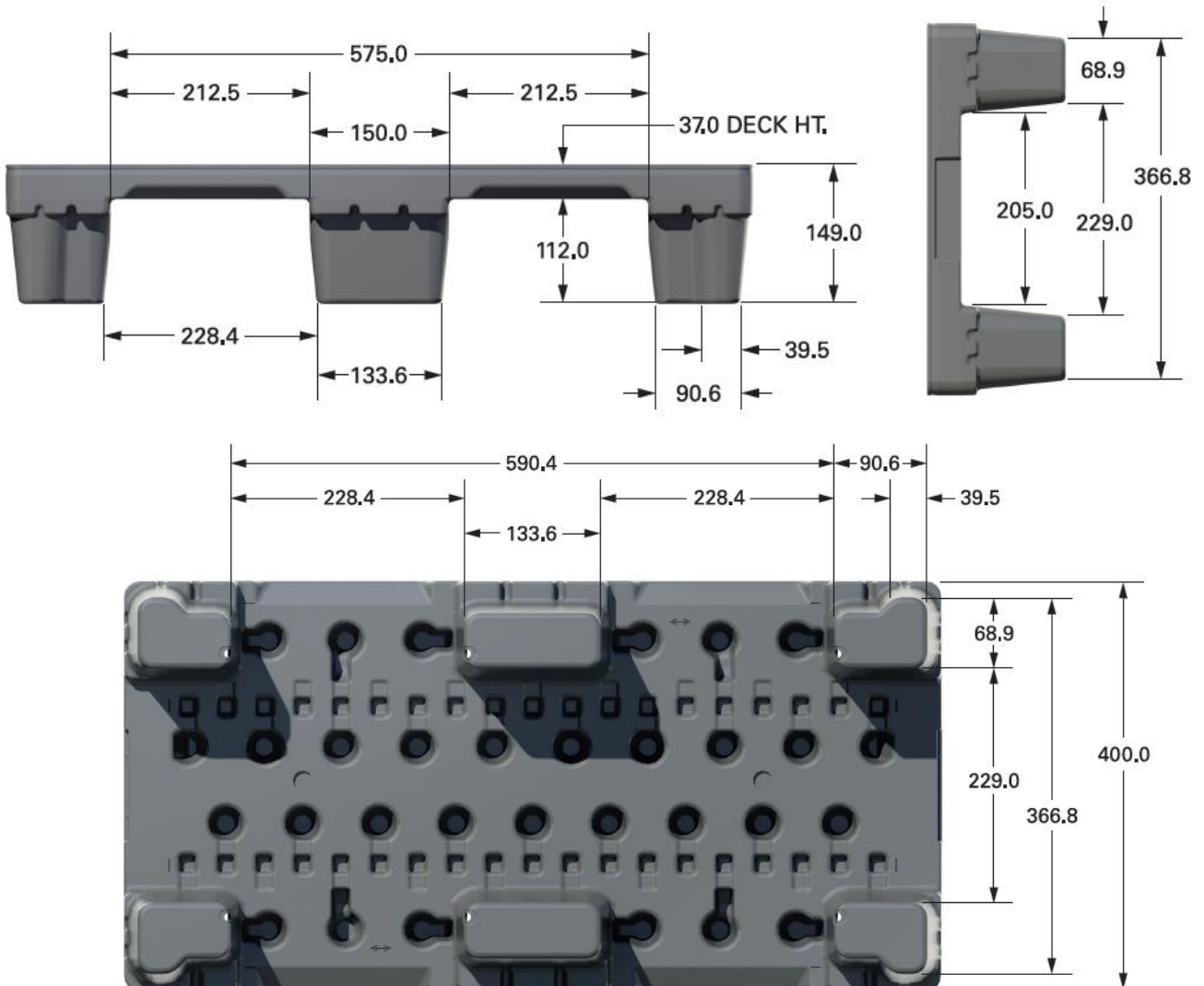
Weight	4,2 kg. +/-2 %
Dynamic weight	280 kg.
Static weight	280 kg.
Racking	Always use a slave pallet underneath

Materials pallet	Highdensity-polyetylen (HDPE)
Reinforcements	Two galvanized steelbeams
Recycled materials	Recycled raw material of highdensity-polyetylen can be mixed
Temperatures	-40 °C to +70 °C
Recyclable	Yes
Lifespan	10 years

Kapittel: 0303	Dok nr: 15	Vers nr: 01	Gyldig fra: 06.12.19	Utarbeidet av: SMSS	Godkjent av: FK	Side 1 av 3
----------------	------------	-------------	-------------------------	------------------------	--------------------	-------------

PRODUCTSPECIFICATION

RFID & BARCODE	The plastic 1/3 pallet has two RFID- and barcode tags, one on each short side. See picture for placement. For more information about RFID please visit www.nlpool.no .
---------------------------	--



Placement of reinforcement beams



LABELING OF PLASTIC 1/3 PALLET

Do not staple, attach or glue anything to the plastic 1/3 pallet that may harm surfaces or make visible holes. Furthermore, do not use any paint, ink or any other substances that might discolour the pallet or mark the plastic 1/3 pallet. Labels and other markings can only be applied if they are completely removed before the plastic 1/3 pallet continues in the supply chain.

WASHING THE PLASTIC 1/3 PALLET

The plastic pallets are only to be washed by NLP in the following way:

The plastic pallet is washed in a tunnel washer specifically designed for pallets, where foreign objects and label residue are removed to the best its ability.

Washing temperature: ca. 50° C

Chemicals: Titan XL, added 0,2-1,5%

DELIVERY

The plastic 1/3 pallet is delivered in one condition (NLP quality) consisting of 45 x 2 per transport unit stack. For more information please visit: www.nlpool.no.

Kapittel: 0303	Dok nr: 15	Vers nr: 01	Gyldig fra: 06.12.19	Utarbeidet av: SMSS	Godkjent av: FK	Side 3 av 3
----------------	------------	-------------	-------------------------	------------------------	--------------------	-------------