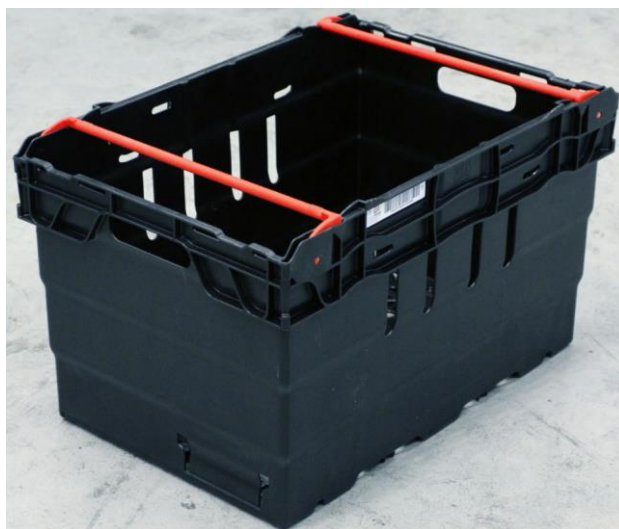


## PRODUCTSPECIFICATION

Art. name: NLP Plastic crate 360

Art. number: 0101

EPD number: 2630424



### PRODUCT DESCRIPTION

Dimensions	Outside (mm) +/- 2%	Inside bottom +/- 2%	Working height closed bar +/- 2%	
Length (mm)	600	545		
Width (mm)	400	345		
Height (mm)	360		328	
Volume			67 liters	

<b>Weight complete crate</b>	2,750 Kg. +/- 5 %
------------------------------	-------------------

<b>Materials crate</b>	Food Grade High Impact Polypropylen.
<b>Materials bar</b>	Polyamid (PA6) with 50% glassfiber
<b>Recycled material</b>	Recycled raw material of Food Grade high Impact Polypropylen can be mixed in.

Kapittel: 0303	Dok nr: 07 Vers nr: 04	Gyldig fra: 27.08.20	Utarbeidet av: SMSS	Revidert av: SMSS	Godkjent av: FH	Side 1 av 3
----------------	---------------------------	-------------------------	------------------------	----------------------	-----------------	-------------

### NEST STACK

<b>Nest stacking system</b>	2 swing bars
<b>Incremental stack height</b>	345 mm (+/- 2%)
<b>Incremental nest height</b>	90 mm (+/- 2%)
<b>Maximum load per single tray (excl. tray weight)</b>	Maximum recommended content weight per single tray: 35,0 Kg.
<b>Maximum stack load</b>	Maximum load on bottom tray = 194 Kg. Dynamic
<b>Loading note</b>	Dynamic load rating depends on the use of restraining methods on pallets, how they are secured inside transportation units as well as the general handling of the crate.
<b>Temperature performance</b>	-30 °C to +40 °C All stated loadings are assumed static at an operational temperature of +21 °C +/- 2 °C for 7 days. However, it should be noted that the load bearing capabilities of Polypropylen improves at reduced temperatures and are lowered at elevated temperatures. Conversely, as with all plastic materials, impact resistance is reduced at low temperatures and is increased at higher temperatures.

### RFID AND BARCODE

The crate is equipped with two RFID tags and barcode labels. RFID- and barcode labels is placed on the outer edge of the two longer sides. Please see picture for placement.

More information about RFID and barcodes can be found at our website [www.nlpool.no](http://www.nlpool.no)



Kapittel: 0303	Dok nr: 07 Vers nr: 04	Gyldig fra: 27.08.20	Utarbeidet av: SMSS	Revidert av: SMSS	Godkjent av: FH	Side 2 av 3
----------------	---------------------------	-------------------------	------------------------	----------------------	-----------------	-------------

### LABELING THE CRATES

The crates have label holders on each of the short sides, with room for labels without glue in size 130x45 mm

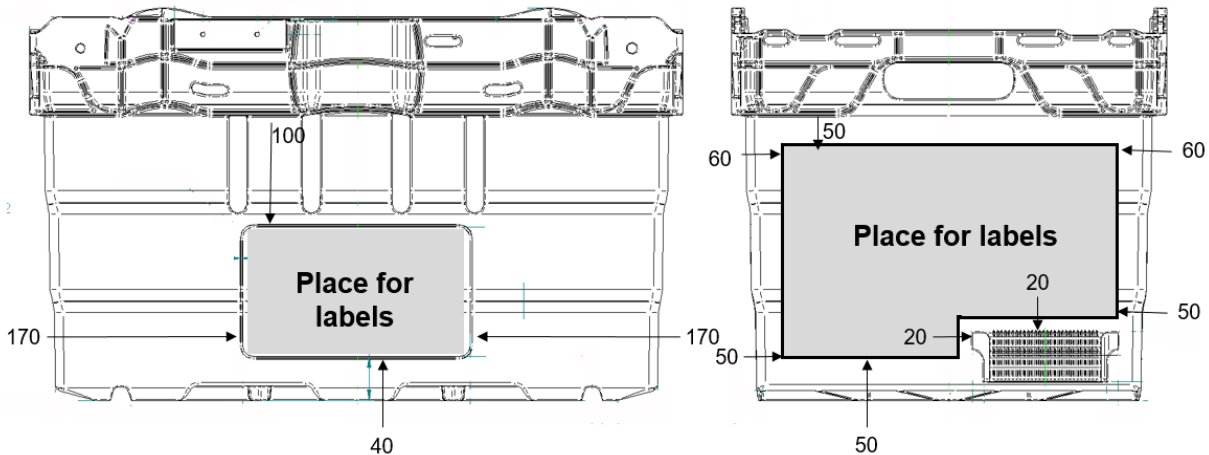
Using labels with glue the, following suppliers, label type and glue are approved:

Supplier	Type of label and glue
Raflatac	Thermal Top 200 / RP-45LW
Raflatac	Thermal Top P 200 / RP45LW
Fasson	Vellum Extra / WR 3000

### Placement of label

Labels with glue shall **only** be placed at the designated areas, see drawing below. It illustrates by measures in mm where the label is placed from the edge and bottom.

The label can be a **maximum** of 120 mm in height.



### WASHING OF CRATES

Crates are washed in a tunnel washer designed for crates, where foreign substances and the remains of old labels are removed to the best of our ability.

### DELIVERY

The crates are delivered in several transport units, visit [www.nlpool.no](http://www.nlpool.no) for more information.

Kapittel: 0303	Dok nr: 07 Vers nr: 04	Gyldig fra: 27.08.20	Utarbeidet av: SMSS	Revidert av: SMSS	Godkjent av: FH	Side 3 av 3
----------------	---------------------------	-------------------------	------------------------	----------------------	-----------------	-------------